

COMPACT S32 EVO

PELLET BOILER



Pellet-burning boiler with modern design, if you would like to heat a domestic environment it provides the ideal solution. It becomes the core of the system, easy to be integrated thanks to its compact dimensions. The PELLETPOWER® innovative patented burner maintains the correct rate of oxygen keeping the efficiency of combustion stable for longer periods: keeping the burner clean means reducing cleaning time and fuel costs, and payback boiler costs over a few years. Thanks to the high efficient vertical pipes heat exchanger THERMOCORE®, and thanks to the automatic power modulation working principle, Compact performs a thermal efficiency of more than 90%. The stability of the boilers structure, the silence, the easier way to manage and clean it, and its very low emissions, make the Compact range the alternative and ecological solution to the traditional heating system.

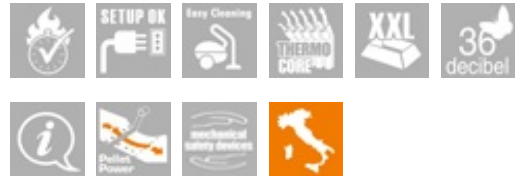


Heatable area

265 m².



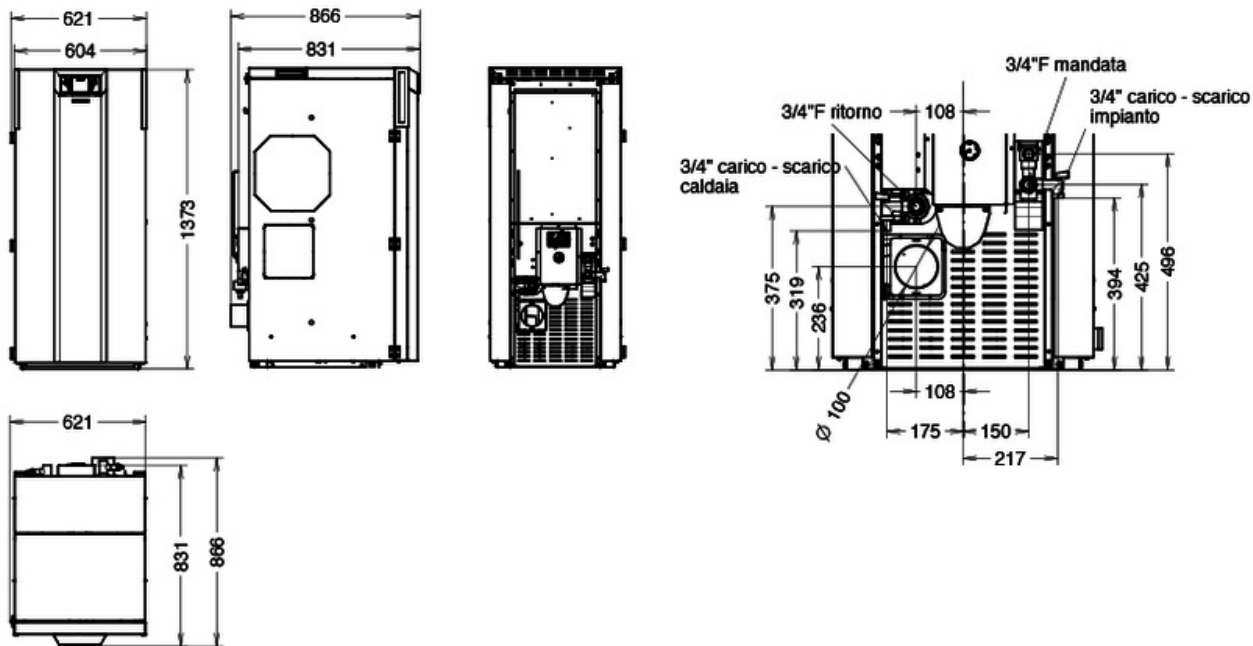
- 1 - The new design of the LCD control panel has been updated with simple visual messages
- 2 - Thermocore pipe heat exchanger equipped with turbolators
- 3 - Bruciatore brevettato PelletPower®
- 4 - New design of the boiler mantel, easy to be integrated in a domestic environment, with a strong insulation layer
- 5 - Symplified cleaning system
EASYCLEANING



OPTIONAL ACCESSORIES



DIMENSIONS



TECHNICAL DATA

DIMENSIONS (HXWXD)	1373X621X866
WEIGHT (KG)	247
HEATABLE AREA (M ²)*A*C	265
EFFICIENCY UP TO MAX (%)*A	93,01%
ENERGY CLASS	A+
POWER TO THE HEART (KW)*A	8,98 - 31,91
RATED POWER (KW)*A	8,16 - 29,68
POWER TO THE WATER (KW)*A	8,16 - 29,68
RADIATION (KW)*A	-
HOURLY PELLET CONSUMPTION (KG/H)*A	2,1 - 7
WOOD HOURLY CONSUMPTION (KG/H)*A	-
PELLET HOPPER CAPACITY (KG)*A	65,0
WARM AIR DUCTING	-
MAXIMUM SINGLE DUCTING OUTLET (M)	-
PATENTED BURNER PELLETPOWER®	SI
ROOM VENTILATION	-
PRIMARY AIR FROM OUTSIDE	SI
CO EMISSIONS (MG/M ³ ; 13% OF O ₂)*A	-
CO EMISSIONS (MG/M ³ ; 10% OF O ₂)*A	93,8
DUST EMISSIONS (MG/M ³ ; 13% OF O ₂)*A	-
DUST EMISSIONS (MG/M ³ ; 10% OF O ₂)*A	25,7
SILENCE (DB)	38
REMOTE CONTROL	-
RADIO CONTROL WITH ROOM TEMPERATURE THERMOSTAT	-
WEEKLY PROGRAMMER (3 DAILY LIGHTING)	SI
«SMART INFO» FUNCTION	SI

SYSTEM CIRCULATING PUMP	SI
EXPANSION TANK	SI
OVER PRESSURE VALVE	SI
FLUE GASEXHAUST DIAMETER (MM)	100
MIN. FLUE DRAUGHT PRESSURE (PA)	10
ELECTRIC CONSUMPTION (WATT)	148-430
HIGH TEMPERATURE SAFETY THERMOSTAT	SI

*A EMISSIONS AND PERFORMANCE DATA MAY CHANGE ACCORDING TO THE FUEL USED. THE VALUES OF PELLET PRODUCTS HAVE BEEN OBTAINED BY USING CERTIFIED FUEL ACCORDING TO EN 14961-2 A1-A2 NORM. WOOD LOGS PRODUCTS VALUES MAY VARY ACCORDING TO THE TYPE AND QUALITY OF THE WOOD LOGS USED.

*B PROVISIONAL DATA UNDER CERTIFICATION

*C IMPORTANT: WHEN CALCULATING THE VOLUME OF THE "HEATED AREA" SOME RELEVANT ASPECTS MUST BE CONSIDERED: INSULATION OF THE BUILDING (ENERGY CLASS), POSITION OF THE HEATER, CLIMATIC AREA AND MORE ASPECTS THAT CAN AFFECT THE VALUES OF PERFORMANCE. REPORTED DATA HAVE BEEN CALCULATED ON THE BASE OF ROOF NOT HIGHER THAN 3 MTS.

THE MANUFACTURER RESERVES THE RIGHT TO MAKE CHANGES WITHOUT PREVIOUS NOTICE.

THERMOROSSI S.p.A.

Via Grumolo, 4 | 36011 Arsiero (VI) | Italy | E-mail: info@thermorossi.it

Tel: 800.44.88.77 | Fax: 0445 741657 | P.IVA 00168470243 | Iscr. REA99797 Vicenza | Cap. Sociale di 156,000,00 I.v.